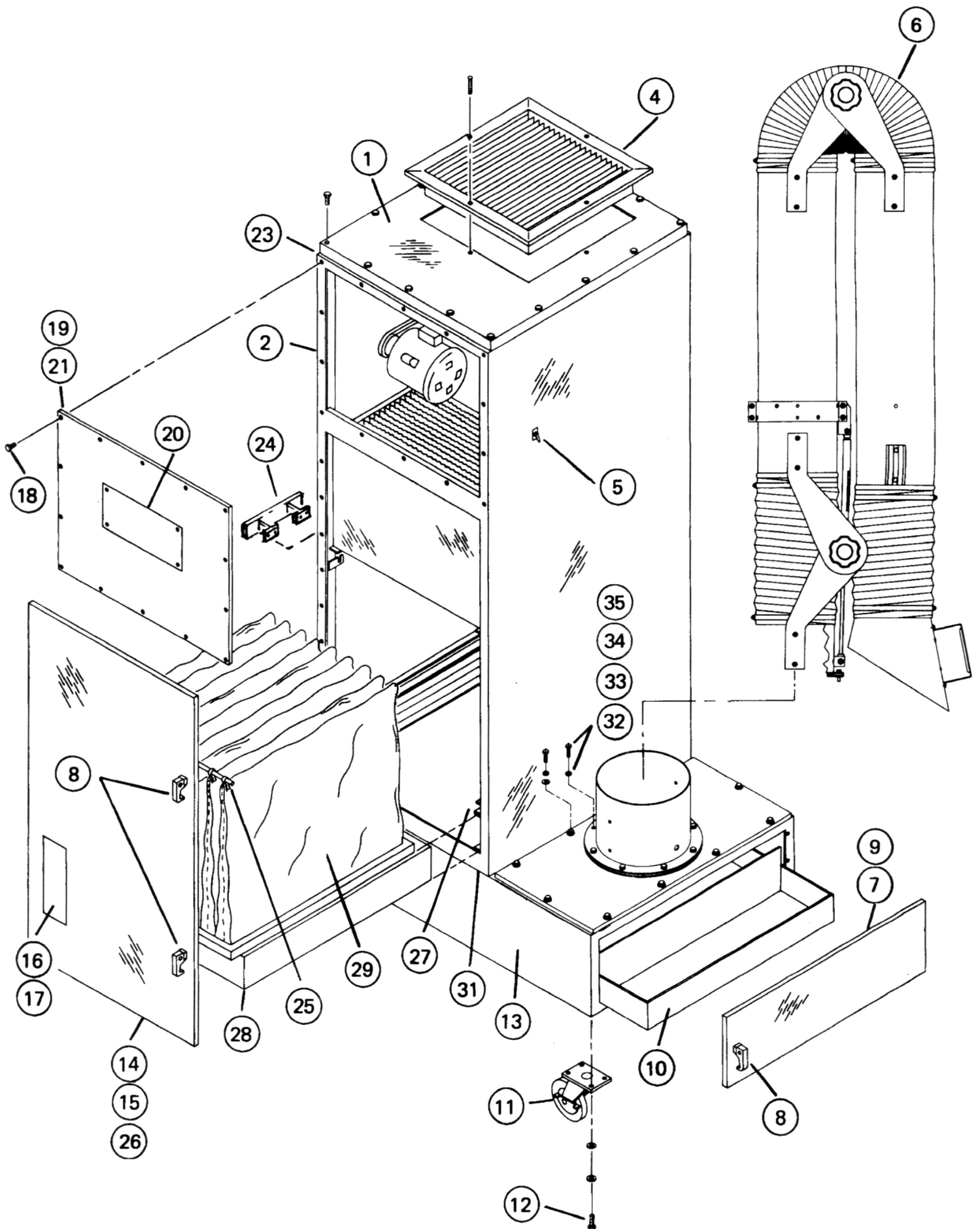


TRION M26 PORTABLE AIR CLEANER PARTS LIST

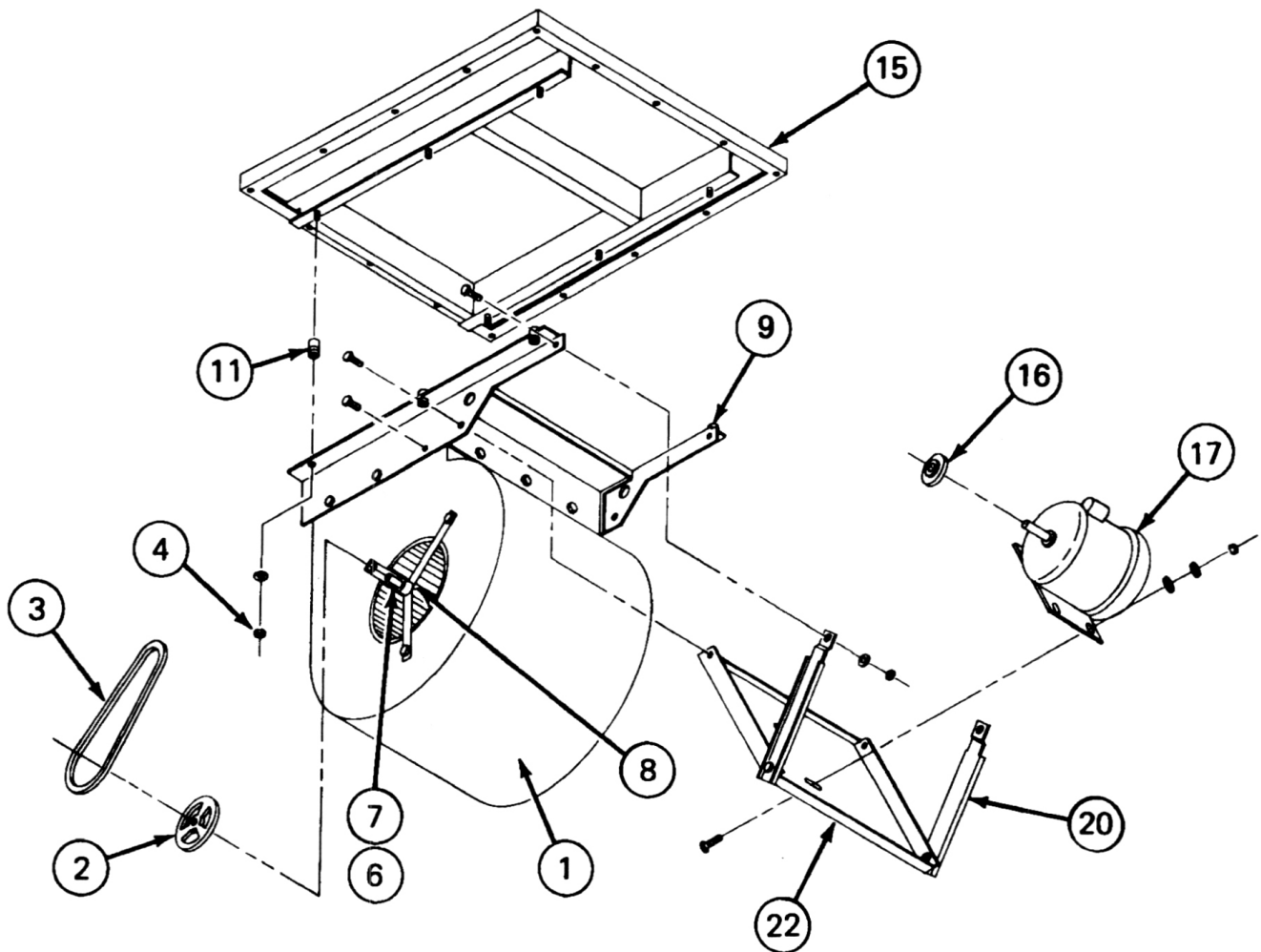


TRION M26 PORTABLE AIR CLEANER PARTS LIST

Item	Part Number	Description
1	4-26-1200-00	Blower and Motor Assembly
2	26-9041-00	Cabinet, Welded
3	137668-001	Pressure Gage Kit (Appx. Loc) – Opt.
4	69000-0003-0500	Diffuser
5	137441-001	On-Off Switch A
6	FH I I F-00G / www	Pickup Arm Assembly
7	4-26-9024-00	Door, Cart
8	334562-003	Handle, Lift & Turn
9	224779-020	Gasket 5/8 x 5/8 – 10'
10	26-9020-00	Tray
11	60000-0003-0100	Swivel Caster
12	220003-187	Screw
13	26-9000-00	Cart
14	4-26-9025-00	Door, Filter Area
15	224779-020	Gasket 5/8 x 5/8 – 12'
16	21-0000-03	Nameplate "Rollaway"
17	61000-0001-06	Retaining Clip
18	222005-025	Screw
19	26-9022-00	Front Panel
20	236936-001	Nameplate "Tepco"
21	224779-020	Gasket 5/8 x 5/8 – 8'
22	1-2500-1000-0503	Power Cable (Not Shown)
23	224779-026	Gasket 1/2 x 1/16 – 8'
24	1-21-9060-0001	Cabinet Handle, Large
25	26-9046-00	Bag Support Rod
26	224779-027	Gasket 3/8 x 1/4 – 9'
27	26-9070-00	Impinger Rail
28	224451-015	Prefilter, 2" Aluminum Mesh – Std.
28A	2000-8003-00	Impinger – Opt.
28B	237643-001	Polyester Prefilter – Opt.
28C	69000-001-97	4" Pleated Prefilter – Opt.
28D	69000-0001-99	2" Pleated Prefilter – Opt.
29	26-3000-9931	Air Filter Bag, 95% – Std.
29A	26-3000-6931	Air Filter Bag, 65% – Opt.
29B	26-3000-9917	Air Filter Bag, 95%, Short – Opt.
29C	26-3002-0001	Texwood Bag (Cleanable) – Opt.
30	26-8001-00	Absorber Module (2 Per Unit) – Opt.
30A	29000-0001-30	HEPA Filter, 95% – Opt.
30B	29000-0001-71	HEPA Filter, 99.97% – Opt.
31	224779-003	Gasket – 13'
32	220008-189	Screw, Hex HD
33	120033-008	Nut, Hex
34	120033-009	Lockwasher
35	237657-001	Spacer Strut (Not Shown)
36	224779-020	Gasket 5/8 x 5/8 (Not Shown) – 2'

1. EACH Absorber Module requires:
20 lbs. charcoal or 30 lbs. alumina or a mixture of
10 lbs. charcoal and 15 lbs. alumina.
2. HEPA are high efficiency particulate air filter modules,
either 95% or 99.97% efficiency.

TRION M26 PORTABLE AIR CLEANER PARTS LIST



M-26 BLOWER/MOTOR ASSEMBLY

Item	Part Number	Description
1	62000-0012-07	Blower Assembly with Shaft
2	124053-038	Blower Pulley
3	220926-023	Belt
4	123149-001	Stop Nut
5	120031-011	Flat Washer
6	1-1250-1200-07	Square Key
7	62000-0004-04	Shaft, Blower
8	62000-0003-01	Bearing with Insulator
9	437696-001	Mounting Bracket, Motor-Blower
10	222005-056	Hex Bolt, Washer Head
11	62000-0011-02	Grommet
12	221235-341	Hex Screw
13	120033-010	Lockwasher
14	123149-004	Elastic Stop Nut
15	437682-001	Outlet Panel Assembly
16	125699-003	Motor Pulley
17	125740-003	Motor, 115V / 60Hz, 1 HP
18	120031-012	Flat Washer
19	120036-010	Hex Nut
20	337701-001	Rocker Arm
21	94100-3118-1001	Carriage Bolt
22	337700-001	Motor Bracket