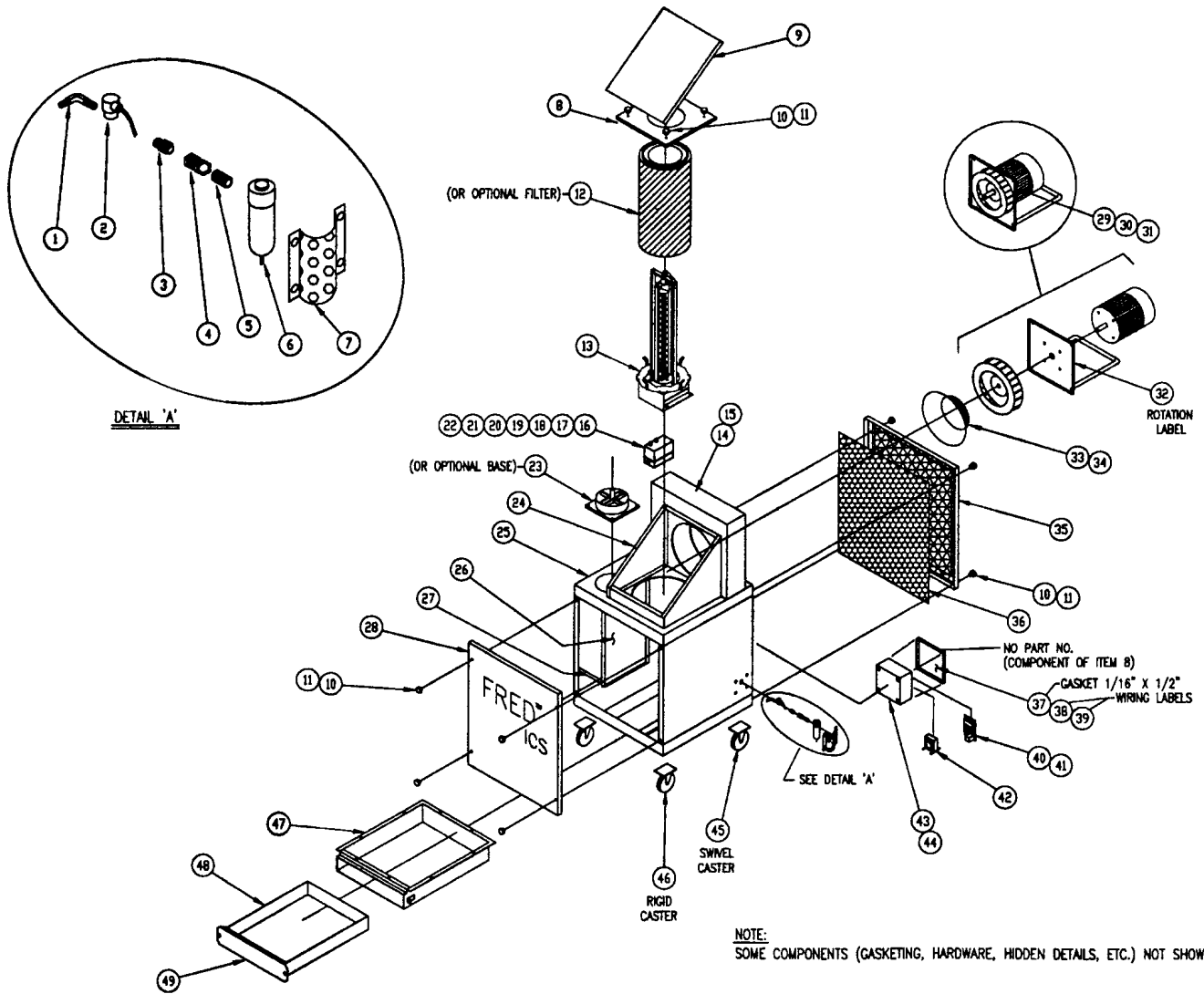


VIII. REPLACEMENT PARTS - UNIT  
DRAWING NO. 351294



Item	Part No.	Description
1	150917-001	90° Barbed Hose Connector
2	250920-001	Solenoid - 12 VAC, 1/8 NPT
3	150918-001	Reducing Hex Nipple
4	123032-002	Bulkhead fitting
5	130971-002	Close Nipple
6	150924-001	Pneumatic Filter
7	250798-001	Pneumatic Filter Guard
8	250779-001	Filter Compression Plate
9	250778-001	Filter Access Cover
10	250823-001	Retaining Knob
11	245635-016	Retaining Ring
12	251100-001	Cartridge Filter with Fire Retardent Coating
13	250824-001	(Air Nozzle) Injection Cleaning Mechanism
14	350800-001	Blower Housing Welded Assembly 1.5 HP
15	350800-002	Blower Housing Welded Assembly 3.0 HP
16	250928-001	Compact Starter Assembly 120V/ 60 Hz/ 1ø
17	250928-002	Compact Starter Assembly 240V/ 60 Hz/ 1ø
18	250929-001	Compact Starter Assembly 208V/ 60 Hz/ 3ø
19	250929-002	Compact Starter Assembly 240V/ 60 Hz/ 3ø
20	250929-003	Compact Starter Assembly 460V/ 60 Hz/ 3ø
21	250929-004	Compact Starter Assembly 575V/ 60 Hz/ 3ø
22	150930-001	Auxiliary Contact All Units
23	250815-001	Inlet Collar Welded Assembly
24	350785-001	Hood Welded Assembly
25	350776-001	Cabinet Welded Assembly
26	350768-001	Spark Baffle
27	250767-001	Spark Baffle Stand Off
28	350766-001	Solid Door Assembly
29	350810-001	Blower Assembly 1.5 120/ 240V/ 60 Hz/ 3ø
30	350810-002	Blower Assembly 3.0 208-230/ 460V/ 60 Hz/ 3ø
31	350810-003	Blower Assembly 3.0 575V/ 60 Hz/ 3ø
32	250922-001	Rotation Logo -- Clockwise Rotation
33	250819-001	Inlet Cone Assembly 1.5 HP
34	250819-002	Inlet Cone Assembly 3.0 HP
35	350765-001	Mesh Door Assembly
36	151067-001	Activated Carbon Filter Material 30 1/2" x 36"
37	224779-026	Adhesive Back Neoprene Gasket 1/2" x 1/16"
38	250925-001	Wiring Label - Single Phase
39	250926-001	Wiring Label - Three Phase
40	250834-001	IC-3 Printed Circuit Board Assembly
41	143574-005	PC Board Supports
42-a	250835-001	Transformer - Multiple Voltage 120/240V - 12/24V
42-b	250835-002	Transformer - Multiple Voltage 208/416V - 12/24V
42-c	250835-003	Transformer - Multiple Voltage 240/480V - 12/24
42-d	250835-004	Transformer - Multiple Voltage 575 - 600 12V
43	250833-001	Screw Cover Pull Box w/ Cover
44	250799-001	Electrical Box Mtg. Plate
45	60000-0003-0100	Swivel Caster - 5" Wheel
46	150821-001	Rigid Caster - 5" Wheel
47	350792-001	Drawer Box Welded Assembly
48	250788-001	Drawer Assembly
49	224779-024	Adhesive Back Neoprene Gasket 1/2" x 1/8"