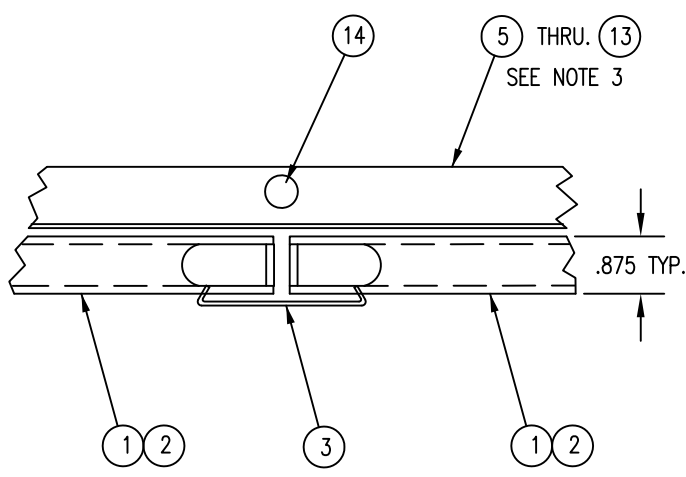
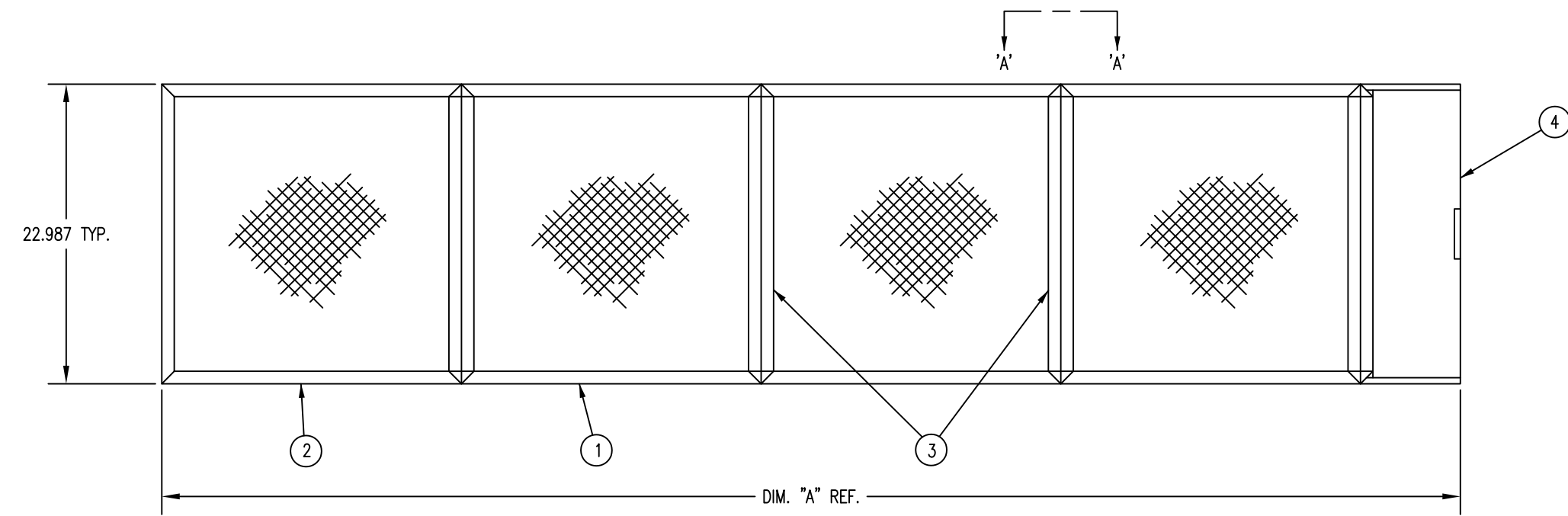


345430-310																									REVISIONS			
345430-309																												
345430-308																												
345430-307																												
345430-306																												
345430-305																												
345430-304																												
345430-303																												
345430-210																												
345430-209																												
345430-208																												
345430-207																												
345430-206																												
345430-205																												
345430-204																												
345430-203																												
345430-110																												
345430-109																												
345430-108																												
345430-107																												
345430-106																												
345430-105																												
345430-104																												
345430-103																												
345430-102																												
114.248	103.404	92.217	81.030	70.186	59.00	47.812	36.968	114.248	103.404	92.217	81.030	70.186	59.00	47.812	36.968	114.248	103.404	92.217	81.030	70.186	59.00	47.812	36.968	25.781	DIM. 'A'	TRION PART NO.	DESCRIPTION	REMARKS
-	6	-	6	-	6	-	6	-	4	-	4	-	4	-	4	-	2	-	2	-	2	-	2	-	1	322031-001	METAL MESH FILTER	1.5'
15	9	12	6	9	3	6	-	10	6	8	4	6	2	4	-	5	3	4	2	3	1	2	-	1	2	322031-002	METAL MESH FILTER	2'
15	15	12	12	9	9	6	6	10	10	8	8	6	6	4	4	5	5	4	4	3	3	2	2	1	3	223522-001	FILTER CLIP	
3	3	3	3	3	3	3	3	2	2	2	2	2	2	2	2	1	1	1	1	1	1	1	1	1	4	344611-001	FILTER PULL	
-	-	-	-	-	-	-	-	-	-	-	-	-	-	-	-	-	-	-	-	-	-	-	-	2	5	245419-102	FILTER SHIM	
-	-	-	-	-	-	-	6	-	-	-	-	-	-	-	4	-	-	-	-	-	-	-	2	-	6	-103		
-	-	-	-	-	-	6	-	-	-	-	-	-	-	4	-	-	-	-	-	-	-	2	-	-	7	-104		
-	-	-	-	-	6	-	-	-	-	-	-	4	-	-	-	-	-	-	-	-	2	-	-	-	8	-105		
-	-	-	-	6	-	-	-	-	-	-	4	-	-	-	-	-	-	-	-	2	-	-	-	-	9	-106		
-	-	-	6	-	-	-	-	-	-	4	-	-	-	-	-	-	-	-	2	-	-	-	-	-	10	-107		
-	-	6	-	-	-	-	-	-	-	4	-	-	-	-	-	-	-	-	2	-	-	-	-	-	11	-108		
-	6	-	-	-	-	-	-	-	4	-	-	-	-	-	-	-	2	-	-	-	-	-	-	-	12	-109		
6	-	-	-	-	-	-	-	4	-	-	-	-	-	-	-	2	-	-	-	-	-	-	-	-	13	-110		
102	96	84	72	60	48	36	24	68	64	56	48	40	32	24	16	34	32	28	24	20	16	12	8	6	14	123327-003	RIVET, STL.	



SECTION 'A'-A'  
SCALE: 1/2"=1"

- NOTES:
- 1.) FILTER ASSEMBLY SHOWN IS TYPICAL OF ASSEMBLY P.N. 345430-107
  - 2.) REFER TO UNIT ASS'Y., P/N 444604, SHT 2/4 FOR LOCATION OF PRE AND POST FILTERS.
  - 3.) CENTER FILTER SHIM OVER MATCHING HOLES IN FILTER GUIDE RAIL & ATTACH USING SELF - DRILLING SCREWS, ITEM 14. FILTER SHIM TO BE 3.875 FROM END OF FILTER GUIDE RAIL.

D	DAR 1/24/05 CO-16615-28 CHGD: P.N.'S, ITEMS 1) WAS 349218-001 2) WAS 349218-002
C	KAY 1/10/96 CO-10940-08 CHGD: P.N.'S, ITEMS 1) WAS 322031-001 2) WAS 322031-002
B	WJC 12-6-95 CO-10903-01 CHGD.: ITEM 14 P.N. 123327-003 RIVET WAS 222005-032 H.H. SCREW.
A	WJC 1-20-93 CO-9478-59 CHGD: ITEMS 5 THRU. 13 P.N.'S 245419-102 THRU. -110 WAS 245419-002 THRU. -010 CO- 9198-56

UNLESS OTHERWISE SPECIFIED USE		SCALE		2 DEC. PLACE		3 DEC. PLACE		ANGLES		FILTER ASSEMBLY - 1" NOMINAL		REV	
MODEL 72		NTS		± .03		± .030		± 1/2°		D		D	
NEXT ASSY		USED ON		DR. KAY		CHKD. WTW		APP. WTW		G		SHT	
APPLICATION		DATE 1/10/96		DATE 1/10/96		DATE 1/10/96		DATE 1/10/96		345430		1/1	
										TRION, INC.		THIS DRAWING PROPERTY OF TRION, INC.	