
TRION®

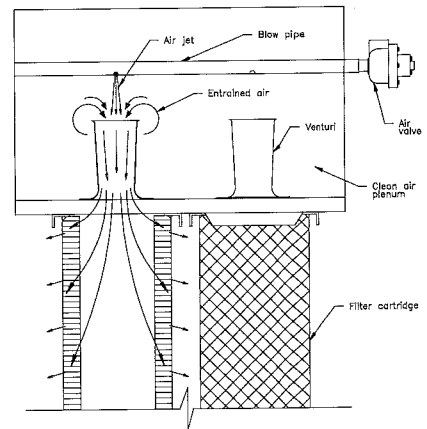
FRED™

SR C6/C9

DUST COLLECTOR

FEATURES

VENTURI ASSISTED REVERSE PULSE SELF-CLEANING



FRED™ SR C6 and C9 dust collectors are designed for the removal of dust or smoke from industrial applications. All models are equipped with a fully automated self-cleaning system and equipped with a high performance backward inclined blower.

Filtration

Reusable

Energy savings

Dramatically reduced pollution

Applications

- Welding and cutting smoke
 - Buffing and polishing dusts
 - Metalworking dust and smoke
 - Grinding composites and plastics
 - Handling of dry powders
 - Packaging, blending or weighing
-

TRION[®]

FRED[™] SR C6/C9

HOW THE VENTURI REVERSE PULSE SYSTEM WORKS

The new FRED[™] Self-Cleaning System eliminates the need for costly maintenance and/or replacement filters. Compressed air is blown through the filter in the reverse direction through a venturi, thus dislodging smoke and dust from the filter. The solid pollutants are then collected in a dust drawer or barrel and emptied

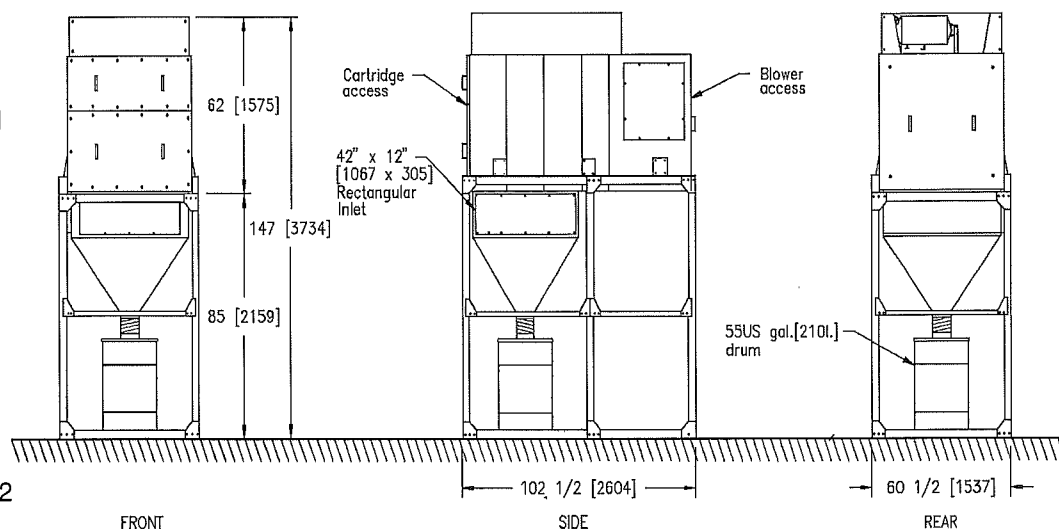
periodically. All units are equipped with a digitally controlled timer. This system activates an adjustable cleaning sequence each time FRED is turned off, or can be operated with on-line pulsing. All units are supplied with complete pre-wired electrical motor controls as well as solid state pulse control circuit board.

MODEL	C6-4000-P	C9-6000-P
C.F.M.	4000 @ 9" S.P.	6000 @ 9" S.P.
Motor/Voltage/ph/hz	10 HP 208/230/460/575/3/60	15 HP 208/230/460/575/3/60
Amperage	26.5/24/12/9.6	38/34/17.1/13.7
Fan Type	Backward Inclined	Same
Main Filter	6x100 sq. ft. cellulose w/ fire retardant	9x100 sq. ft. cellulose w/ fire retardant
Construction	11, 12 and 14 ga. welded steel	Same
Dimensions (WxLxH)	54" x 81" x 61 1/2"	54" x 97 1/2" x 61 1/2"
Weight (lbs.)	1200	1500
Noise Level	88 dB @ 5'; 82 dB with optional silencer	89 dB @ 5'; 83 dB with optional silencer
Gas Adsorber	Carbon impregnated polyester substrate	Same
Required Air (psi)	80 - 100	Same
Filter cleaning	Venturi Reverse Pulse	Same

AVAILABLE OPTIONS

1. High static blowers rated at 13" S.P.
2. 99.97% H.E.P.A. filter
3. Dust hopper, stand and drum
4. Explosion vents
5. Magnehelic guage
6. Cyclone
7. Magnehelic w/ light
8. Aluminum non-sparking wheel

C9-6000-P WITH DUST HOPPER AND DRUM OPTION



Manufactured by:
TRION INC.

P.O. Box 760
101 McNeill Road
Sanford, NC 27330-0760
(919) 775-2201 (800) 884-0002
Fax: (800) 458-2379