



## **Model OMP-200 Air Boss<sup>®</sup> One-Man Portable Portable Industrial Air Cleaner**

### **Installation Operation Service**

Please read these instructions carefully for trouble free operation and to get the most out of your purchase. For further information concerning this



A **FEDDERS** INDOOR AIR QUALITY COMPANY

101 McNeill Road • Sanford, NC 27330  
Phone: 800-884-0002 • Fax: 800-458-2379 • Email: [sales@trioninc.com](mailto:sales@trioninc.com)  
[www.trioninc.com](http://www.trioninc.com)

Manual Part No. 157510-001 • March 2005

## SPECIFICATIONS

<b>Air Handling Capacity</b>	220 CFM
<b>Power Requirements</b>	120V, 60 Hz, 1 Phase
<b>Power Consumption</b>	1200 Watts, 14 Amps Max
<b>Controls</b>	ON/OFF Switch
<b>Cabinet Dimensions</b>	24"L x 12.5"W x 19"H
<b>Motor</b>	Dual Brush Direct Drive, Thermally Protected
<b>Weight</b>	50 Lbs.

### FILTERS

<b>Pre-Filter</b>	1" Pleated Std. (35%)
<b>Main Filter Cartridge</b>	95% DOP, or 99.97% HEPA

## PRINCIPLES OF OPERATION

The Trion Air Boss® Model OMP-200 consists of four basic components:

1. A cabinet for housing all components
2. A blower
3. Electrical components and wiring
4. Collecting components (filters)

The Trion Air Boss OMP-200 air cleaner is designed to capture and clean smoke and dust from welding, soldering, and grinding. Dust and smoke are drawn from the source through an external hood and 2-1/2" diameter hose attached to the air cleaner. Clean air is returned to the space through the bottom discharge. The air cleaner operates at 95-99.97% DOP efficiency at the rated 220 CFM airflow.

With the power on, the blower moves the air through the spark trap, the pre-filter section, collecting the large dust particles, then enters the main filter where smoke and other smaller particles are trapped in the fibers of the cartridge filter. The cleaned air then passes through the motors and back into the room.

## NEW UNIT INSPECTION

Immediately upon receiving the unit, carefully examine the carton for damage during transit. If unit is damaged, contact the last carrier for filing claim and your TRION Representative.

While unpacking the unit, look for concealed shipping damage. If there is damage, it should be reported to the last carrier for filing claim and your TRION Representative.

## PREPARATION

This Manual should be carefully read before operating.

The Air Boss Model OMP-200 is recommended for use for dry applications only.

The portable unit can be moved to the source of smoke and dust.

### **NOTE !**

Handling the cabinet is easier if you remove the hose assembly.

The Model OMP-200 is shipped with a 15-ft. power cord suitable for plugging into a standard 3-wire, 120 Volt wall outlet (see Wiring Diagram). The outlet must have available 15 Amps at 120 Volts for proper operation. The power cord must be protected against damage.

### **CAUTION !**

Do not remove the third prong on the power cord. This unit (as with most electrical appliances) must be grounded for safe operation.

## UNIT OPERATION

Plug the Air Boss Model OMP-200 unit into a standard wall receptacle. If the receptacle is not of the 3-wire grounded type, an adapter can be purchased at any local electrical store.

To turn the unit on, move the toggle switch to the "ON" position. The blower should begin to draw air through the suction hood.

## MAINTENANCE

Precision equipment such as your TRION Air Boss Air Cleaner will require a minimum amount of maintenance to keep it in good operating condition. All normal preventative maintenance can be done by you.

### **CAUTION !**

Always turn the unit off and unplug before working on or near the motor or its wiring assembly.

The collecting components consist of a spark trap, pre-filter and main filter, which are accessible through the inlet end of the unit allowing simple, fast replacement.

Filters are changed according to the pressure across the filter. A clogged filter light, actuated by a differential pressure switch is included with the unit. The filter light will come on when the filters become clogged.

**NOTE !**

The unit can continue to run with the light illuminated; however airflow will be reduced further. Do not allow the motor to overheat.

**CLEANING AND INSPECTION OF CABINET:**

After the dirty components have been removed, an inspection of the cabinet should be made. Remove all foreign debris and dirt accumulation inside the cabinet. Inspect all wiring for loose connections and cracked insulation.

The vacuum motors should be checked for signs of unusual wear and replaced as necessary.

**TROUBLE SHOOTING**

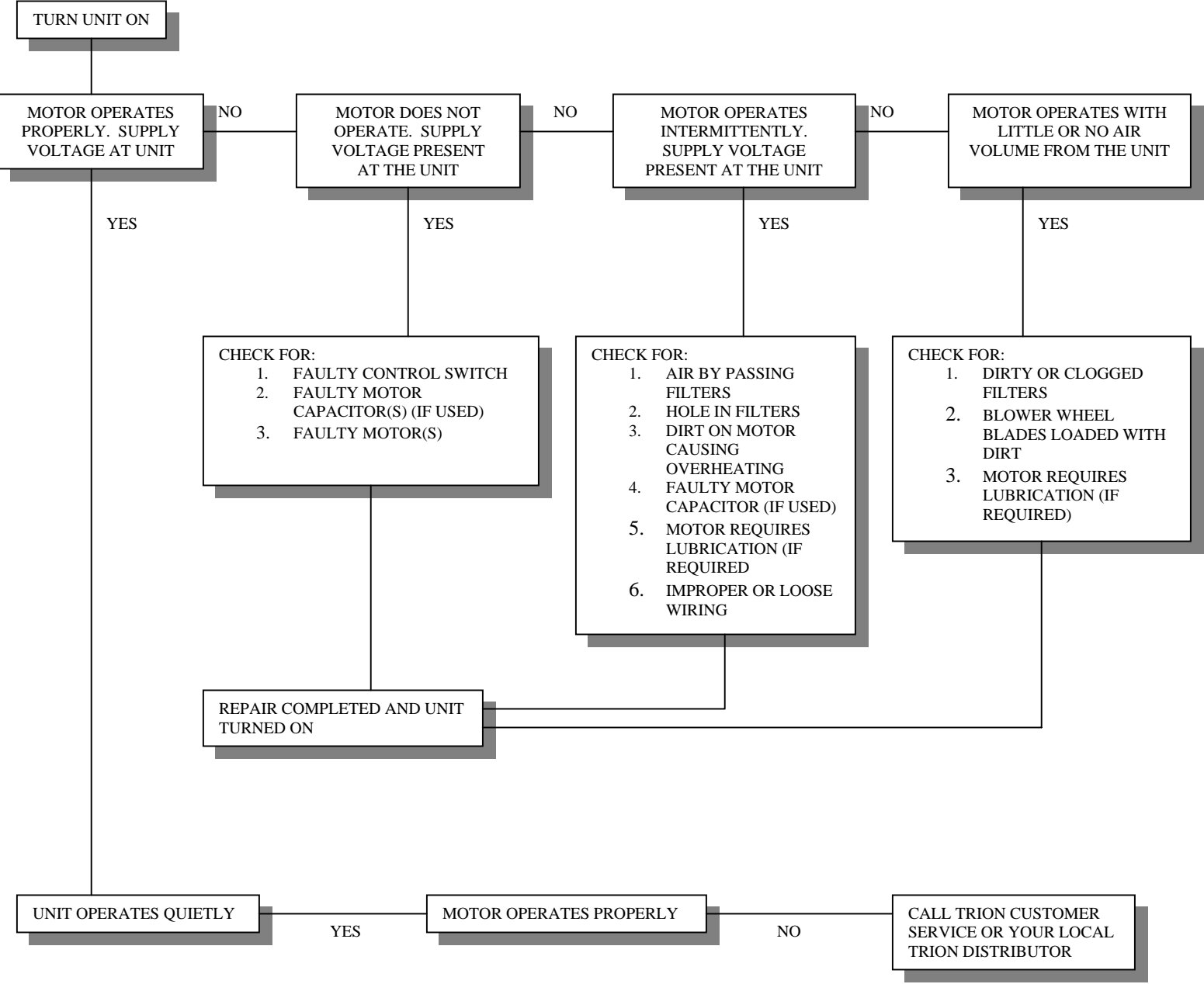
All TRION Air Cleaners are manufactured to give the user continuous, trouble-free service. However, as with all mechanical equipment, breakdowns may occasionally occur.

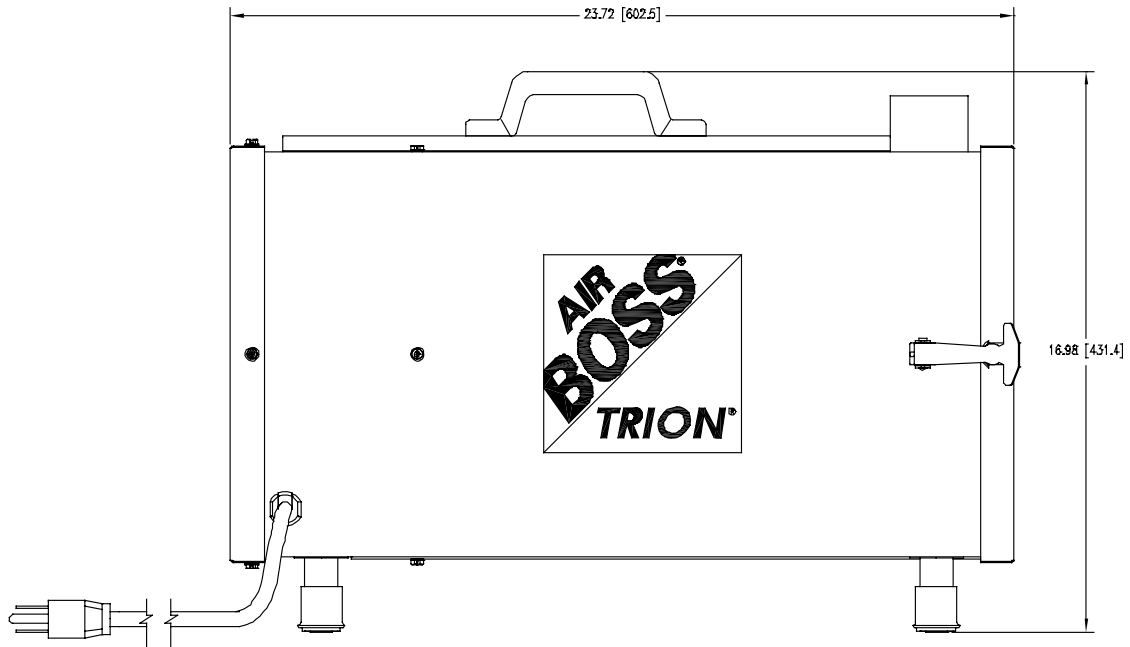
The chart on page 4 will enable the user to pinpoint the cause of most problems. Refer to the "Parts Ordering Information" Section for replacement parts, if needed.

Before troubleshooting the unit, refer to the Wiring Diagram on page 8, check for proper wiring connections and the input line voltage. A minimum voltage of 108 VAC is required.

A special test cord can be made for amperage tests with a clamp-on meter. The cord set is made using three individual insulated wires to connect the terminals of a 3-wire, 15 Amp, grounded male plug and a 3-wire 15 Amp, grounded female plug. Use this cord set to connect unit to the wall plug.

# TROUBLESHOOTING PROCEDURE





## REPLACEMENT PARTS ORDERING INFORMATION

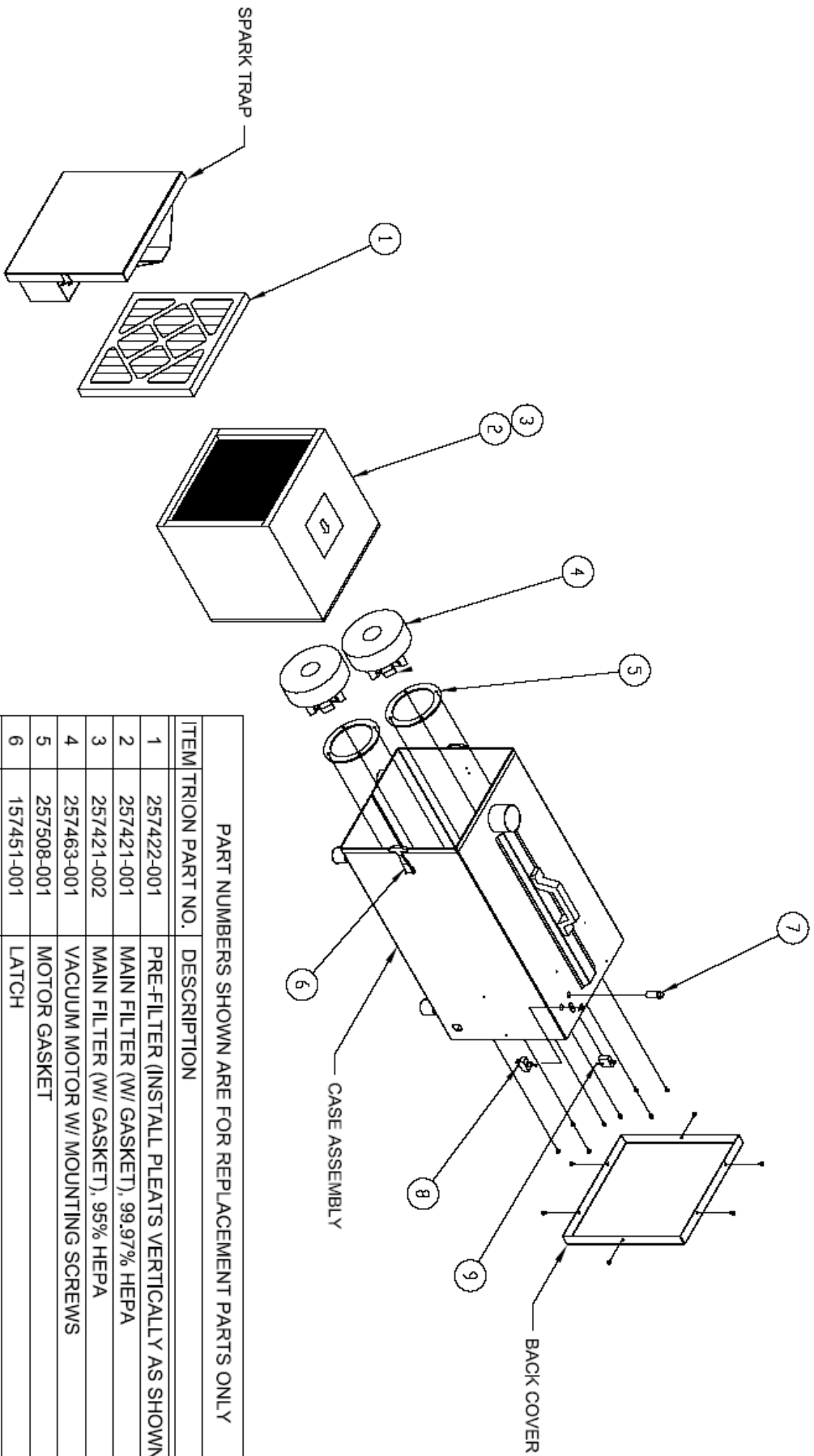
The following contains the Bill of Material for the TRION Model OMP-200. Use this page to determine the part numbers of items, which are needed.

To order repair parts, contact your local TRION Representative.

The following information will be required for prompt delivery of repair parts:

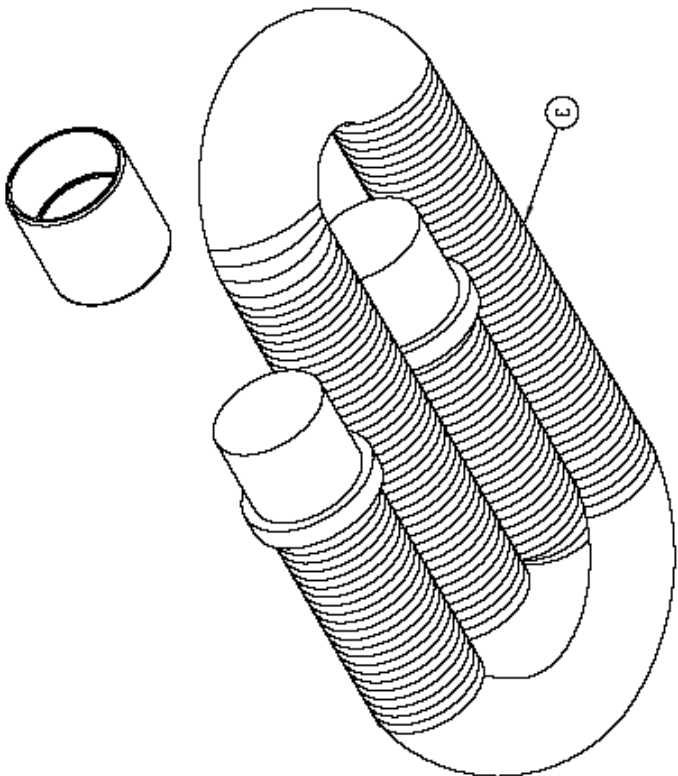
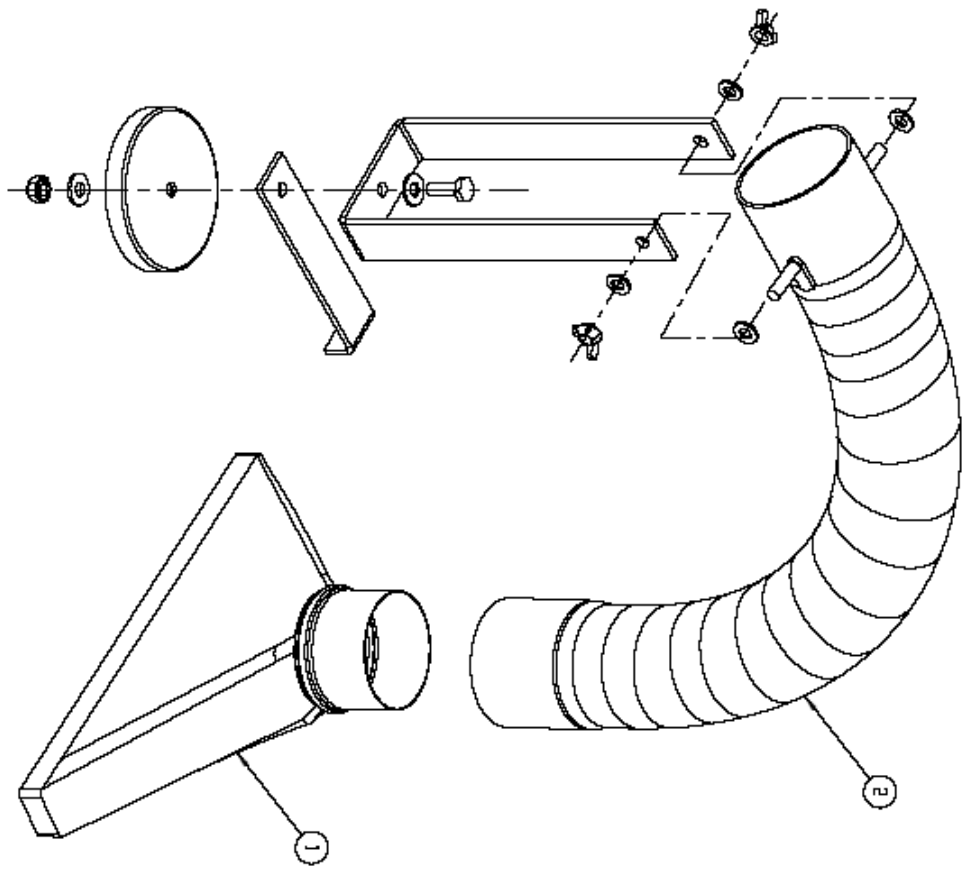
	<b>Located</b>
1. Unit Model Number	ID Plate below switch
2. Unit Serial Number	ID Plate below switch
3. Part Number & Description	Exploded Views

Give item and part number when ordering replacement parts.



PART NUMBERS SHOWN ARE FOR REPLACEMENT PARTS ONLY

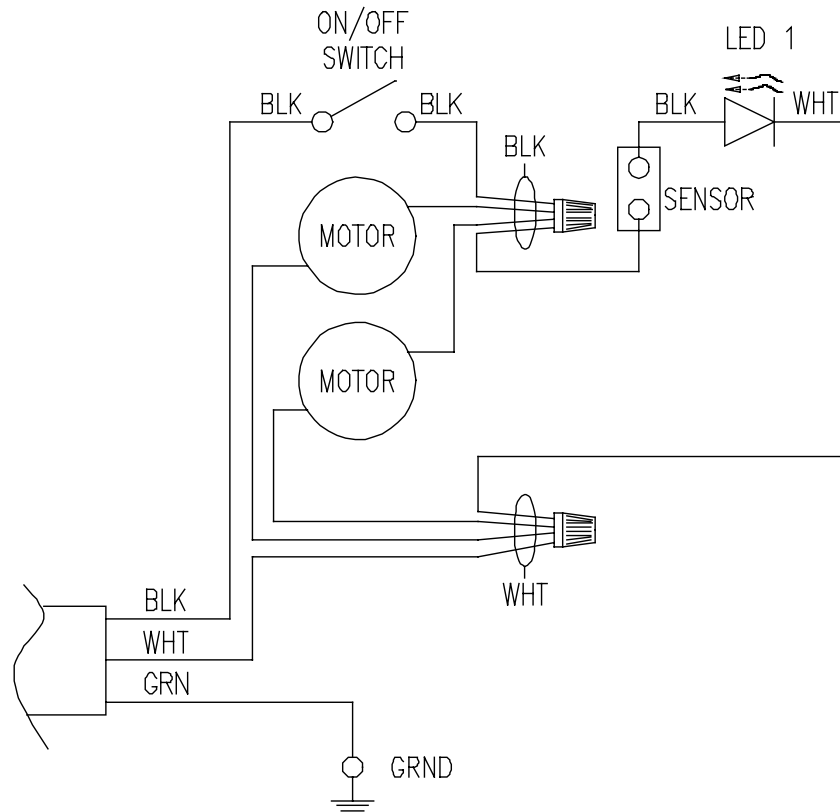
ITEM	TRION PART NO.	DESCRIPTION
1	257422-001	PRE-FILTER (INSTALL PLEATS VERTICALLY AS SHOWN)
2	257421-001	MAIN FILTER (W/ GASKET), 99.97% HEPA
3	257421-002	MAIN FILTER (W/ GASKET), 95% HEPA
4	257463-001	VACUUM MOTOR W/ MOUNTING SCREWS
5	257508-001	MOTOR GASKET
6	157451-001	LATCH
7	73000-0001-03	DIRTY FILTER INDICATOR LIGHT
8	238001-002	ON-OFF TOGGLE SWITCH
9	157467-001	DIFFERENTIAL PRESSURE SWITCH



ITEM	PART NUMBER	DESCRIPTION
1	157708-001	NOZZLE
2	257475-001	STEEL HOSE ATTACHMENT
3	257474-001	FLEX HOSE

ACCESSORIES

## OMP-200 WIRING DIAGRAM



WIRING DIAGRAM

## WARRANTY

All Trion air cleaners are warranted for component failure and workmanship for a period of three (3) years after purchase. Do not return defective parts without prior permission from the factory. Contact your local Trion Distributor or Trion Customer Service Department at 1-800-884-0002 or Fax 1-800-458-2379 to obtain material return authorizations and service information.