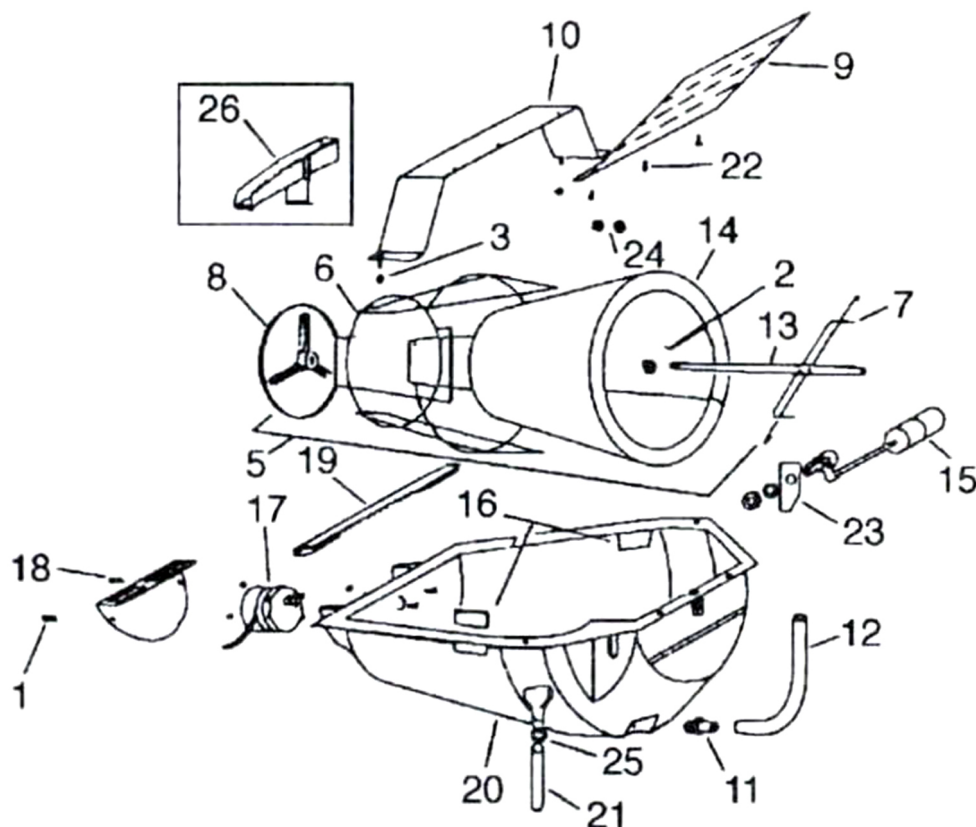


# TRION MODEL 2000C HUMIDIFIER PARTS LIST



REF #	PART #	DESCRIPTION
1	1028	#6 – 20 X 3/8 Cover Plate Screw (2)
2	900-185	1/2 – 20 SS Nut for Drive Rod
3	1216	#10 – 24 Hex Nut [for Deflector Mount] (2)
4	Not Shown	#10 – 24 x 3/4 Screw for Narrow Duct Mount (2)
5	<a href="#">2040</a>	Cage and Pad Assembly
6	<a href="#">2012</a>	Cage Assembly
7	2017A	Cage End Support with (2) End Caps
8	<a href="#">1402-01</a>	Closed End
9	2014	Deflector
10	2013	Deflector Mount with Weld Screws
11	<a href="#">2026</a>	Drain Connection
12	<a href="#">2029</a>	Drain Tube 9 1/2"
13	2018	Drive Rod
14	<a href="#">2024</a>	Evaporator Pad
15	<a href="#">1405A</a>	Float & Valve Assembly
16	2023	Observation Window (2)
17	<a href="#">1322</a>	Motor 24V (replaces 1414A)
18	2031	Motor Cover Plate
19	2016	Mounting Clip
20	<a href="#">2010</a>	Pan with #2025 Seal & #2023 Bearing
21	<a href="#">1094</a>	Plastic Drain Tube 6"
22	22	Sheet Metal Screw (5)
23	2021	Splash Shield
24	2030	Thumb Screw Knob (2)
25	1095	Tube Clamp for Bleed-Off
26	2055	Bleed-Off Assembly