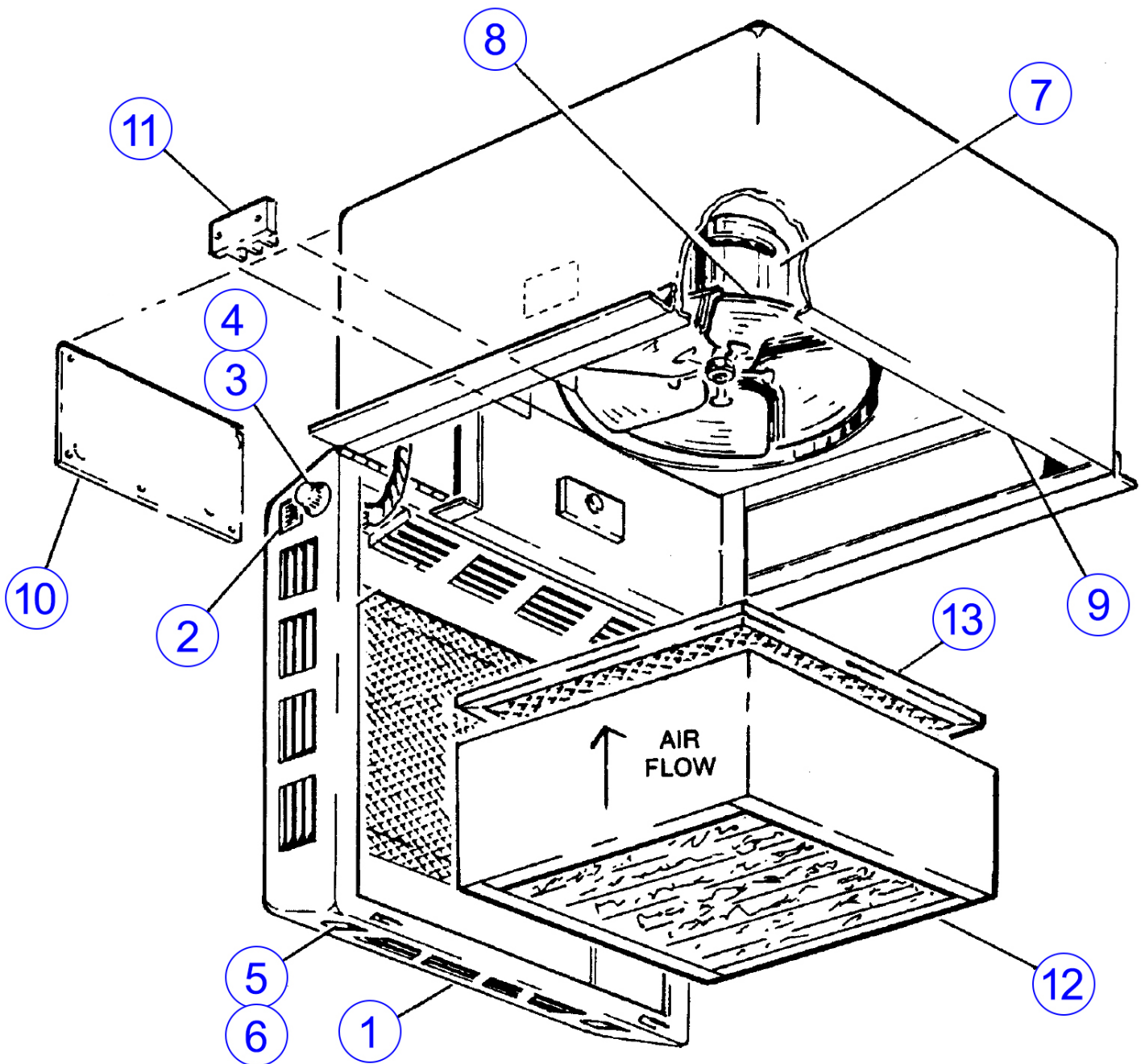


TRION CAC 500M AIR CLEANER PARTS LIST



PARTS LIST

Key Number	Part Number	Description	Qty
1	446009-001	Cabinet Top	1
2	121110-002	Light	1
3	243939-001	Rotary Switch	1
4	242235-001	Knob	1
5	134205-002	Latch	2
6	134206-002	Latch Actuator	2
7	243155-001	Motor	1
8	136333-001	Propeller	1
9	132315-001	Gasket	7 ft
10	343017-001	Cover Plate	1
11	220400-002	Terminal Block	1
12	1000-3000-0101	Media Filter	2
13	132309-001	Charcoal Filter (optional)	1